

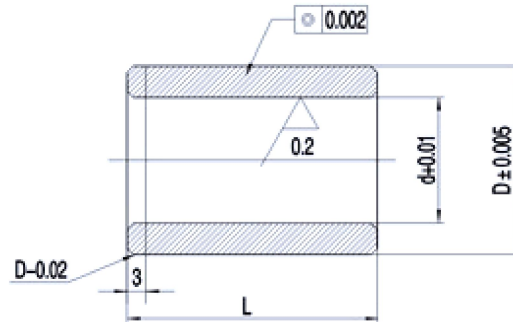
HUNAN JINTAI HARDWARE AND MACHINERY CO., LTD.

Tel: +86 731 84770162 Fax: +86 731 84770163

<http://www.hn-jintai.com.cn>

Contact: Mr. Jim Luo Email: jimluo2009@gmail.com

Guide Bush



Guide Bush(Guide Sleeve, Guide Post, Guide Set)

Material: GCr15

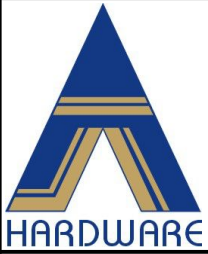
Harden: Vacuum

Hardness: 57-59 HRC

Application: Plastic Moulds

Model No.	Inner Diameter	Outer Diameter	Length(L)
GB-12-L	12	18	15-25
GB-14-L	14	22	15-30
GB-16-L	16	25	20-40
GB-18-L	18	28	20-40
GB-20-L	20	30	20-40
			50-70
GB-22-L	22	32	30-50
			70-90
GB-25-L	25	35	40-60
			80-100
GB-30-L	30	42	60-80
			90-100
GB-35-L	35	45	60-80
			90-100

When inquiry please inform us: I.D. x O.D. x L = Qty



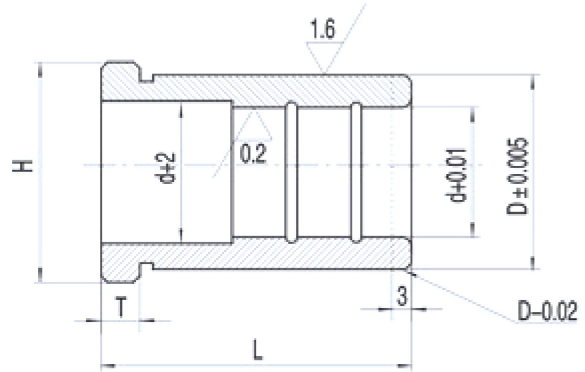
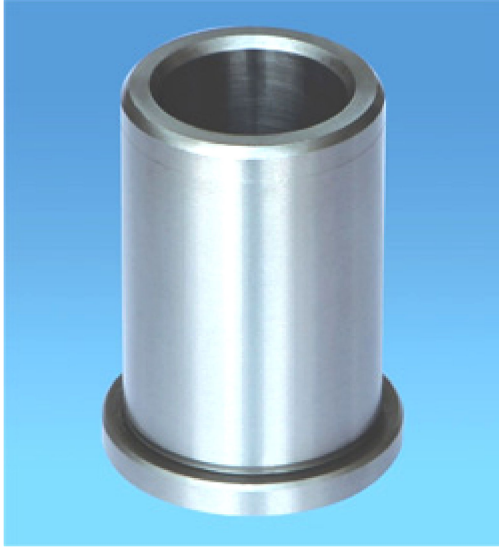
HUNAN JINTAI HARDWARE AND MACHINERY CO., LTD.

Tel: +86 731 84770162 Fax: +86 731 84770163

<http://www.hn-jintai.com.cn>

Contact: Mr. Jim Luo Email: jimluo2009@gmail.com

Guide Bush



Guide Bush with flange (Guide Sleeve, Guide Post, Guide Set)

Material: GCr15

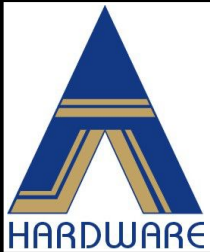
Harden: Vacuum

Hardness: 57-59 HRC

Application: Plastic Moulds

Model No.	ID(d)	OD(D)	Flange(H)	F.Thickness(T)	Length(L)
GBF-12-L	12	18	22	5	20-30
					40-60
GBF-14-L	14	22	26	5	20-40
					50-70
GBF-16-L	16	25	29	5	20-40
					50-70
GBF-18-L	18	28	32	6	30-50
					60-80
GBF-20-L	20	30	34	6	30-50
					60-80
GBF-22-L	22	32	36	6	60-80
					90-100
GBF-25-L	25	35	39	8	60-80
					90-110
GBF-30-L	30	42	46	8	40-60
					70-90
GBF-35-L	35	45	49	10	40-60
					70-90

When inquiry please inform us: I.D. x O.D. x H x T x L = Qty



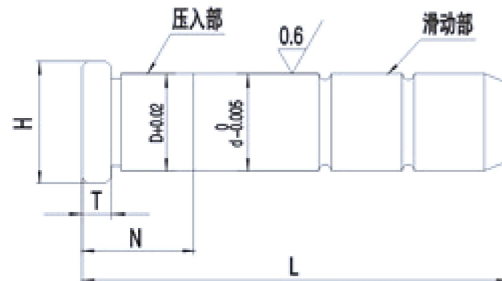
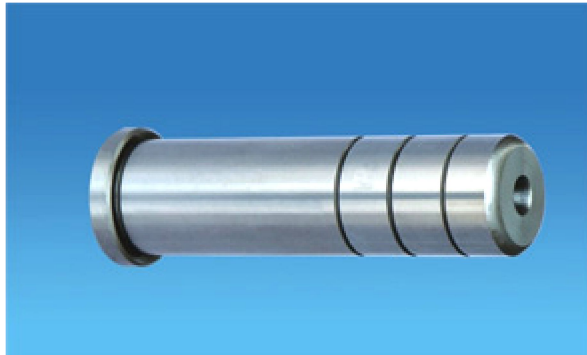
HUNAN JINTAI HARDWARE AND MACHINERY CO., LTD.

Tel: +86 731 84770162 Fax: +86 731 84770163

<http://www.hn-jintai.com.cn>

Contact: Mr. Jim Luo Email: jimluo2009@gmail.com

Guide Pin, Guide Pillar



Guide Pillar (Guide Pin, Guide Post, Guide Set)

Material: GCr15

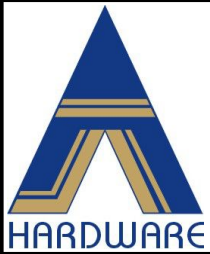
Harden: Vacuum

Hardness: 57-59 HRC

Application: Plastic Moulds

Model No.	Diameter(d=D)	H.Thickness(T)	Flange(H)	D.Length(N)	Length(L)
GPD-12-L	12	5	16	15	40-50
					60-70
					80-100
GPD-14-L	14	5	18	15	40-50
					60-70
					80-100
GPD-16-L	16	5	20	15	60-70
					80-90
					100-110
GPD-18-L	18	5	22	18	70-80
					90-100
					110-120
GPD-20-L	20	6	25	18	80-90
					100-120
					130-150
GPD-22-L	22	6	27	20	90-110
					120-140
					150-170
GPD-25-L	25	8	30	20	100-120
					130-150
					160-180
GPD-30-L	30	8	35	25	120-140
					150-170
					180-200

When inquiry please inform us: d x T x H x N x L = Qty



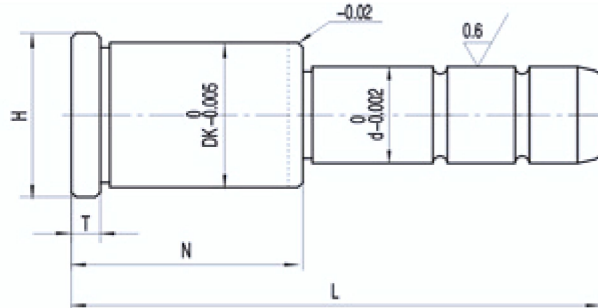
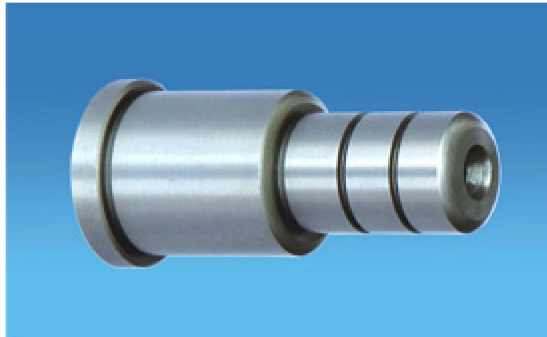
HUNAN JINTAI HARDWARE AND MACHINERY CO., LTD.

Tel: +86 731 84770162 Fax: +86 731 84770163

<http://www.hn-jintai.com.cn>

Contact: Mr. Jim Luo Email: jimluo2009@gmail.com

Guide Pin, Guide Pillar



Guide Pillar with insert step(Guide Pin, Guide Post, Guide Set)

Material: GCr15

Harden: Vacuum

Hardness: 57-59 HRC

Application: Plastic Moulds

Model No.	d	DK	H	T	L
GBT-12-L	12	18	22	5	40-60
GBT-14-L	14	22	26	5	70-90
GBT-16-L	16	25	29	5	100-120
GBT-18-L	18	28	32	6	60-80
GBT-20-L	20	30	34	6	90-110
GBT-22-L	22	32	36	6	120-140
GB-25-L	25	35	39	8	60-80
					90-110
					120-150
GB-30-L	30	42	46	8	60-80
					90-110
					120-150

When inquiry please inform us: d. x DK x H x T x L = Qty

Customized:

High accuracy and credibility

Highly polished reach mirror polish

Customized requirements whatever else available

Customized hardness of HRC 64-65 and triple drawn available